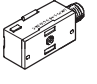
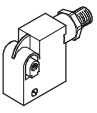
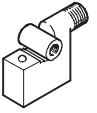


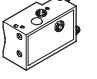
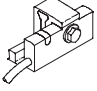


Proximity sensors, block-shaped

Product range overview

FESTO

| Measuring principle | Version | Type | Assembly | Switching element function | | Switch output | Electrical connection | |
|---|---|----------|-----------------|----------------------------|-------------|---------------|-----------------------|---------------------------|
| | | | | N/O contact | N/C contact | | Cable | Plug |
| Magneto-resistive | Operating voltage range 10 ... 30 V DC | | | | | | | |
| |  | SMT0-1 | Via accessories | ■ | - | PNP | 3-wire | M8x1, 3-pin |
| | | | | ■ | - | NPN | 3-wire | M8x1, 3-pin |
|  | SMTSO-1 Welding field immune | | ■ | - | PNP | - | M12x1, 3-pin | |
| Magneto-inductive | Operating voltage range 10 ... 30 V DC | | | | | | | |
| |  | SMT0-6 | Via accessories | ■ | - | PNP | - | M12x1, 3-pin |
| Magnetic reed | Operating voltage range 0 ... 30 V DC | | | | | | | |
| |  | SME0-1 | Via accessories | ■ | - | Contacting | - | M8x1, 3-pin ¹⁾ |
| | | | | ■ | - | | 3-wire | M8x1, 3-pin |
| | Operating voltage range 0 ... 250 V AC, 0 ... 200 V DC | | | | | | | |
| |  | SME0-1-B | Via accessories | ■ | - | Contacting | 2-wire | - |
| | | SME0-1 | | ■ | - | | 2-wire | - |
| | | | | ■ | - | | 2-wire | - |
| | SME0-1-S6-C Heat resistant up to 120°C | ■ | | - | 2-wire | | - | |
| Magnetic | Pneumatic proximity sensor, operating pressure 2 ... 6 bar | | | | | | | |
| |  | SMPO-1 | Via accessories | ■ ²⁾ | - | - | - | - |
| Inductive | Operating voltage range 10 ... 30 V DC | | | | | | | |
| |  | SMT-C1 | Clamped | ■ | - | PNP | 3-wire | - |

1) The proximity sensor has 2 wires internally. One pin of the M8 plug is unused.

2) 3/2-way valve, normally closed

Proximity sensors, block-shaped

Product range overview

FESTO

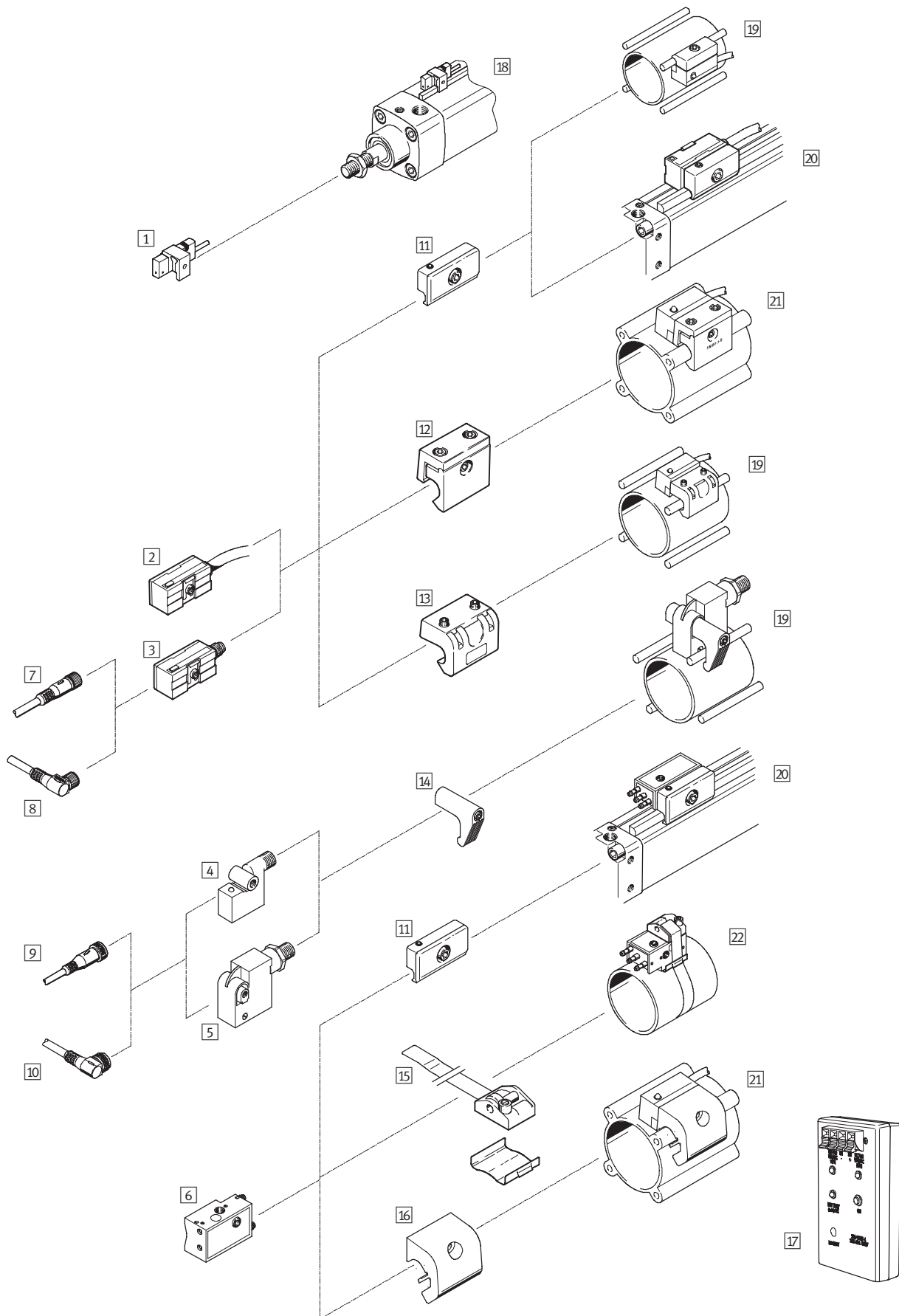
| Type | Connection direction | | Replacement without re-adjustment | Switching status display via LED | Free of copper and PTFE | → Page/Internet |
|---|----------------------|---------|-----------------------------------|----------------------------------|-------------------------|-----------------|
| | In-line | Lateral | | | | |
| Operating voltage range 10 ... 30 V DC | | | | | | |
| SMT0-1 | ■ | - | ■ 1) | ■ | ■ | 6 |
| | ■ | - | ■ 1) | ■ | - | |
| SMTSO-1 Welding field immune | ■ | - | - | ■ | - | 8 |
| Operating voltage range 10 ... 30 V DC | | | | | | |
| SMT0-6 | ■ | - | - | ■ | - | 10 |
| Operating voltage range 0 ... 30 V DC | | | | | | |
| SME0-1 | ■ | - | ■ 1) | - | ■ | 12 |
| | ■ | - | ■ 1) | ■ | ■ | |
| Operating voltage range 0 ... 250 V DC, 0 ... 200 V DC | | | | | | |
| SME0-1-B | ■ | - | ■ 1) | - | - | 12 |
| SME0-1 | ■ | - | ■ 1) | ■ | - | |
| | ■ | - | ■ 1) | - | - | |
| SME0-1-S6-C Heat resistant up to 120°C | ■ | - | ■ 1) | ■ | - | |
| Pneumatic proximity sensor, operating pressure 2 ... 6 bar | | | | | | |
| SMPO-1 | ■ | - | ■ 1) | - 2) | - | 15 |
| Operating voltage range 10 ... 30 V DC | | | | | | |
| SMT-C1 | ■ | - | - | ■ | ■ | 17 |

1) Not in combination with mounting kit SMB-1 or SMBS-...

2) Switching status is via pneumatic indicator

Proximity sensors, block-shaped

Peripherals overview



Proximity sensors, block-shaped

Peripherals overview

FESTO

| Mounting attachments and accessories | | |
|--------------------------------------|--|---|
| | Brief description | → Page/Internet |
| Proximity sensors | | |
| 1 | SMT-C1-... | Inductive, with cable and clamping component |
| 2 | SMT0-1-... | Magneto-resistive, with cable |
| | SME0-1-... | Magnetic reed, with cable |
| 3 | SMT0-1-... | Magneto-resistive, with plug M8x1 |
| | SME0-1-... | Magnetic reed, with plug M8x1 |
| 4 | SMT0-6-... | Magneto-inductive, with plug M12x1 |
| 5 | SMTSO-1-... | Magneto-resistive, welding field immune, with plug M12x1 |
| 6 | SMP0-1-... | Pneumatically actuated |
| Accessories | | |
| 7 | Plug socket with cable NEBU-M83GD-... | Straight socket, M8x1, 3-pin |
| 8 | Plug socket with cable NEBU-M83WD-... | Angled socket, M8x1, 3-pin |
| 9 | Plug socket with cable NEBU-M123GD-... | Straight socket, M12x1, 3-pin |
| 10 | Plug socket with cable NEBU-M123WD-... | Angled socket, M12x1, 3-pin |
| 11 | Mounting kit SMB-1 | For drives with tie rod \varnothing 6 mm or mounting rail For standard cylinders DNG |
| 12 | Mounting kit SMBU-1-B | For standard cylinders DNU |
| 13 | Mounting kits SMB-2-B, SMB-3-B | For standard cylinders DNG |
| 14 | Mounting kit SMBT-1 | For standard cylinders DNG |
| 15 | Mounting kit SMBS-... | For round cylinders |
| 16 | Mounting kit SMBU-1-H-32 | For standard cylinders DNU |
| 17 | Sensor tester SM-TEST-1 | |
| Drives | | |
| 18 | Standard cylinders CDN-...-R with sensor strip | \varnothing 32 ... 100 mm |
| 19 | Standard cylinders DNG | \varnothing 32 ... 320 mm |
| 20 | Flat cylinders DZH | \varnothing 32 ... 63 mm |
| | Semi-rotary drives DRQ | \varnothing 40 ... 100 mm |
| 21 | Standard cylinders DNU | \varnothing 32 ... 125 mm |
| 22 | Round cylinders | \varnothing 8 ... 100 mm |

Proximity sensors, block-shaped

Type codes

Proximity sensor for cylinders with tie or mounting rod

| | | | | | | |
|--|---|----|---|-----|----|---|
| SMTO-1 | | PS | K | LED | 24 | C |
| Function | | | | | | |
| SMTO-1 | Proximity sensor, block-shaped, magneto-resistive | | | | | |
| SMTSO-1 | Proximity sensor, block-shaped, magneto-resistive, welding field immune | | | | | |
| SMTO-6 | Proximity sensor, block-shaped, magneto-inductive | | | | | |
| SMEO-1 | Proximity sensor, block-shaped, magnetic reed | | | | | |
| SMPO-1 | Proximity sensor, block-shaped, magnetic | | | | | |
| Switch output, switching element function | | | | | | |
| PS | PNP, N/O contact, 3-wire | | | | | |
| NS | N/O contact, 3-wire, NPN | | | | | |
| | N/O contact, 2- or 3-wire | | | | | |
| Electrical connection, cable length | | | | | | |
| K | Cable, 2.5 m | | | | | |
| S | Plug M8x1 | | | | | |
| Switching status display | | | | | | |
| LED | Yellow LED | | | | | |
| Rated operating voltage | | | | | | |
| 24 | 24 V DC | | | | | |
| 230 | 230 V AC | | | | | |
| Generation | | | | | | |
| B | B series | | | | | |
| C | C series | | | | | |

Proximity sensor for standard cylinders CDN-...-R with sensor strip

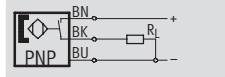
| | | | | | |
|--|---|----|-----|------|----|
| SMT-C1 | | PS | 24V | K2,5 | OE |
| Function | | | | | |
| SMT-C1 | Proximity sensor, block-shaped, inductive | | | | |
| Switching element function, switch output | | | | | |
| PS | PNP, N/O contact, 3-wire | | | | |
| Rated operating voltage | | | | | |
| 24V | 24 V DC | | | | |
| Cable length | | | | | |
| K2,5 | 2.5 m | | | | |
| K5,0 | 5.0 m | | | | |
| Electrical connection | | | | | |
| OE | Cable with open end | | | | |

Proximity sensors SMTO-1, block-shaped, magneto-resistive

Technical data

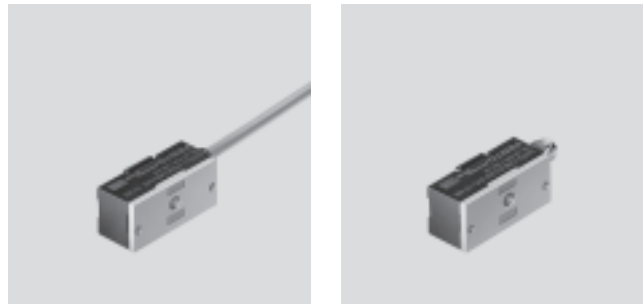
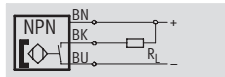
Function

e.g. PNP, N/O contact, with cable



- Magneto-resistive measuring principle

e.g. NPN, N/O contact, with cable



| Design | |
|---|-----------------|
| Constructional design | Block-shaped |
| Type of mounting | Via accessories |
| Connection direction | In-line |
| Reproducibility of switching point ¹⁾ [mm] | ±0.1 |
| Switching status display | Yellow LED |

1) Only applicable to drives secured against rotation.

| Technical data – N/O contact | | |
|--------------------------------------|--------------------------------|------------------|
| Switch output | PNP | |
| | NPN | |
| Electrical connection | Cable, 3-wire | Plug M8x1, 3-pin |
| Cable length [m] | 2.5 | – |
| Operating voltage range [V DC] | 10 ... 30 | |
| Max. switching current [mA] | 200 | |
| Max. switching capacity [W] | 6 | |
| Voltage drop [V] | 3 | |
| Residual current [mA] | ≤0.01 | |
| Switch-on time [ms] | ≤1 | |
| Switch-off time [ms] | ≤1 | |
| Protection against short circuit | Yes | |
| Protection against polarity reversal | For all electrical connections | |
| Protection class | IP67 | |
| Product weight [g] | 85 | 20 |

| Operating and environmental conditions | | | |
|--|-------------------------------------|------------|-------------|
| Electrical connection | Cable | | Plug |
| Cable installation | Fixed | Flexible | |
| Ambient temperature [°C] | –25 ... +70 | –5 ... +70 | –25 ... +70 |
| Corrosion resistance class CRC ¹⁾ | 4 | | 2 |
| CE symbol (declaration of conformity) | In accordance with EU EMC directive | | |

1) Corrosion resistance class 2 according to Festo standard 940 070
 Components requiring moderate corrosion resistance. Externally visible parts with primarily decorative surface requirements which are in direct contact with a normal industrial environment or media such as coolants or lubricating agents.
 Corrosion resistance class 4 according to Festo standard 940 070
 Components requiring higher corrosion resistance. Parts used with aggressive media, e.g. food or chemical industry. These applications should be supported with special tests with the media if required.

| Materials | |
|-------------------|--------------------------|
| Housing | Die-cast zinc, polyester |
| Cable sheath | Polyvinyl chloride |
| Note on materials | Free of copper and PTFE |

Proximity sensors SMT0-1, block-shaped, magneto-resistive

FESTO

Technical data

| Product weights [g] | | |
|-----------------------|-------|------|
| Electrical connection | Cable | Plug |
| N/O contact | | |
| PNP | 85 | 20 |
| NPN | 85 | 20 |

Dimensions Download CAD data → www.festo.com

Cable type

1 Connecting cable
2 Yellow LED

Plug type M8x1

2 Yellow LED
3 Plug suitable for plug socket with cable NEBU-M8...
4 Installation space for angled socket

Ordering data

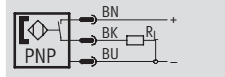
| | Switch output | Electrical connection | | Cable length [m] | Part No. | Type |
|---|---------------|-----------------------|-----------|------------------|----------------------|----------------------|
| | | Cable | Plug M8x1 | | | |
| | N/O contact | | | | | |
| | PNP | 3-wire | – | 2.5 | 151 683 | SMT0-1-PS-K-LED-24-C |
| | | – | 3-pin | – | 151 685 | SMT0-1-PS-S-LED-24-C |
| | NPN | 3-wire | – | 2.5 | 151 684 | SMT0-1-NS-K-LED-24-C |
| – | | 3-pin | – | 151 686 | SMT0-1-NS-S-LED-24-C | |

Proximity sensors SMTSO-1, block-shaped, magneto-resistive

Technical data

Function

PNP, N/O contact, with plug



- Welding field immune
- Magneto-resistive measuring principle



| Design | |
|---|-----------------|
| Constructional design | Block-shaped |
| Type of mounting | Via accessories |
| Connection direction | In-line |
| Reproducibility of switching point ¹⁾ [mm] | ±0.1 |
| Switching status display | Yellow LED |
| Ready status display | Green LED |

1) Only applicable to drives secured against rotation

| Technical data – PNP, N/O contact | |
|---|---|
| Electrical connection | Plug M12x1, 3-pin |
| Operating voltage range [V DC] | 10 ... 30 |
| Max. switching current [mA] | 200 |
| Max. switching capacity [W] | 6 |
| Voltage drop [V] | 3 |
| Residual current [mA] | 0.01 |
| Switch-on time [ms] | ≤35 |
| Switch-off time [ms] | ≤20 |
| Resistance to interference from magnetic fields | Alternating magnetic field 50 ... 60 Hz |
| Protection against short circuit | Yes |
| Protection against polarity reversal | For all electrical connections |
| Protection class | IP65/IP67 |

| Operating and environmental conditions | |
|--|-------------------------------------|
| Electrical connection | Plug |
| Ambient temperature [°C] | -25 ... +70 |
| Corrosion resistance class CRC ¹⁾ | 1 |
| CE symbol (declaration of conformity) | In accordance with EU EMC directive |

1) Corrosion resistance class 1 according to Festo standard 940 070
 Components requiring low corrosion resistance. Transport and storage protection. Parts that do not have primarily decorative surface requirements, e.g. in internal areas that are not visible or behind covers.

| Materials | |
|-----------|---------------|
| Housing | Die-cast zinc |

| Product weights [g] | |
|---------------------|----|
| N/O contact | |
| PNP | 70 |

Proximity sensors SMTSO-1, block-shaped, magneto-resistive

Technical data

Dimensions Download CAD data → www.festo.com

Plug type M12x1

The drawing shows two views of the sensor. The front view (left) shows a square block with a diameter of 25 mm and a width of 22 mm. The side view (right) shows a total length of approximately 85 mm. Key dimensions include: 34 mm for the main body length, 22 mm for the LED section, 7.5 mm for the LED offset, 10 mm for the mounting bracket offset, 34 mm for the LED section length, 11 mm for the socket length, 55 mm for the total length to the socket, and ~85 mm for the total length including the socket. Callouts 1, 2, 3, and 4 point to the Green LED, Yellow LED, Mounting kit, and Installation space for socket, respectively. An M4 hole is also indicated.

- 1 Green LED
- 2 Yellow LED
- 3 Mounting kit
- 4 Installation space for socket

| Ordering data | | | | |
|---------------|----------------------|-----------------------|----------|---------------------|
| | Switch output | Electrical connection | Part No. | Type |
| | N/O contact | | | |
| | Welding field immune | | | |
| | PNP | Plug M12x1, 3-pin | 30 441 | SMTSO-1-PS-S-LED-24 |

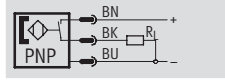
Proximity sensors SMTO-6, block-shaped, magneto-resistive

FESTO

Technical data

Function

PNP, N/O contact, with plug



- Magneto-inductive measuring principle



| Design | |
|--|-----------------|
| Constructional design | Block-shaped |
| Type of mounting | Via accessories |
| Connection direction | In-line |
| Reproducibility of switching point ¹⁾ | [mm] ±0.1 |
| Switching status display | Yellow LED |

1) Only applicable to drives secured against rotation

| Technical data – PNP, N/O contact | |
|--------------------------------------|--------------------------------|
| Electrical connection | Plug M12x1, 3-pin |
| Operating voltage range | [V DC] 10 ... 30 |
| Max. switching current | [mA] 200 |
| Max. switching capacity | [W] 6 |
| Voltage drop | [V] 3 |
| Residual current | [mA] ≤0.01 |
| Switch-on time | [ms] ≤1 |
| Switch-off time | [ms] ≤1 |
| Protection against short circuit | Yes |
| Protection against polarity reversal | For all electrical connections |
| Protection class | IP67 |

| Operating and environmental conditions | |
|--|-------------------------------------|
| Electrical connection | Plug |
| Ambient temperature | [°C] -25 ... +70 |
| Corrosion resistance class CRC ¹⁾ | 1 |
| CE symbol (declaration of conformity) | In accordance with EU EMC directive |

1) Corrosion resistance class 1 according to Festo standard 940 070
Components requiring low corrosion resistance. Transport and storage protection. Parts that do not have primarily decorative surface requirements, e.g. in internal areas that are not visible or behind covers.

| Materials | |
|-----------|---------------|
| Housing | Die-cast zinc |

| Product weights [g] | |
|---------------------|----|
| N/O contact | |
| PNP | 36 |

Proximity sensors SMT0-6, block-shaped, magneto-resistive

Technical data

Dimensions Download CAD data → www.festo.com

Plug type M12x1

The drawing shows two views of the sensor. The front view (left) shows a cylindrical body with a diameter of 20 mm and a total height of 28 mm. The mounting flange has a diameter of 14.6 mm and a thickness of 2.2 mm. A callout '2' points to the top of the sensor. The side view (right) shows the sensor's length, with a distance of 30 mm from the front face to the center of the LED, 44 mm to the center of the plug, and a total length of approximately 78 mm. A callout '1' points to the LED, '3' to the mounting kit, and '4' to the installation space for the socket. The plug is labeled 'M4'.

- 1 Yellow LED
- 2 Plug suitable for plug socket with cable NEBU-M12...
- 3 Mounting kit
- 4 Installation space for socket

| Ordering data | | | | |
|---------------|---------------|-----------------------|----------|--------------------|
| | Switch output | Electrical connection | Part No. | Type |
| | N/O contact | | | |
| | PNP | Plug M12x1, 3-pin | 35 573 | SMT0-6-PS-S-LED-24 |

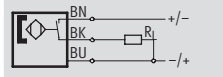
Proximity sensors SMEO-1, block-shaped, magnetic reed

Technical data

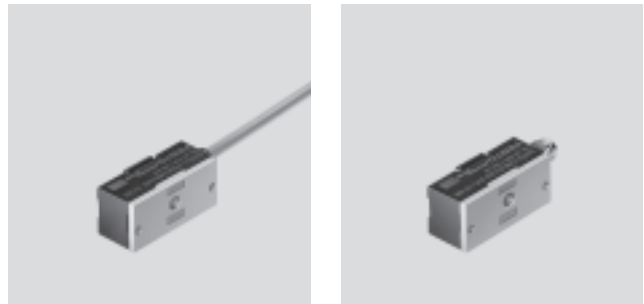
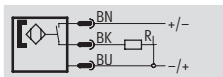
Function

- Magnetic reed measuring principle

e.g. N/O contact, 3-wire, with cable



e.g. N/O contact, 3-wire, with plug



| Design | |
|--|-----------------|
| Constructional design | Block-shaped |
| Type of mounting | Via accessories |
| Connection direction | In-line |
| Reproducibility of switching point ¹⁾ | [mm] ±0.1 |

1) Only applicable to drives secured against rotation.

| Technical data – N/O contact, 3-wire | | | |
|--------------------------------------|-----------|------------|----------------------------------|
| Switching element function | | | N/O contact |
| Switch output | | | Conventional contact, bipolar |
| Electrical connection | | | Cable, 3-wire Plug M8x1, 3-pin |
| Cable length | [m] | 2.5 5.0 | - |
| Operating voltage range | DC [V DC] | 12 ... 27 | |
| Max. output current | DC [mA] | 1,000 | |
| Max. switching capacity | DC [W] | 27 | |
| Switch-on time | [ms] | ≤0.5 | |
| Switch-off time | [ms] | ≤0.03 | |
| Protection against short circuit | | No | |
| Protection against polarity reversal | | No | |
| Protection class | | IP67 | |
| Switching status display | | Yellow LED | |

| Technical data – N/O contact, heat resistant | | | |
|--|-----------|-----------|-------------------------------|
| Switching element function | | | N/O contact |
| Switch output | | | Conventional contact, bipolar |
| Electrical connection | | | Cable, 2-wire |
| Cable length | [m] | 2.5 | |
| Operating voltage range | DC [V DC] | 0 ... 200 | |
| | AC [V AC] | 0 ... 250 | |
| Max. output current | DC [mA] | 1,000 | |
| | AC [mA] | 1,000 | |
| Max. switching capacity | DC [W] | 40 | |
| | AC [VA] | 40 | |
| Switch-on time | [ms] | ≤0.5 | |
| Switch-off time | [ms] | ≤0.03 | |
| Protection against short circuit | | No | |
| Protection against polarity reversal | | No | |
| Protection class | | IP67 | |
| Switching status display | | - | |

Proximity sensors SMEO-1, block-shaped, magnetic reed

Technical data

| Technical data – N/O contact, 2-wire | | | | | |
|--------------------------------------|--|-----------|---|------------|----------------------------------|
| Switching element function | | | N/O contact | | |
| Switch output | | | Conventional contact, bipolar ¹⁾ | | Conventional contact, bipolar |
| Electrical connection | | | Cable, 2-wire | | Cable, 2-wire Plug M8x1, 2-pin |
| Cable length | | [m] | 2.5 | 5.0 | 2.5 – |
| Operating voltage range | | DC [V DC] | 5 ... 200 | | 0 ... 200 0 ... 30 |
| | | AC [V AC] | 5 ... 250 | | 0 ... 250 – |
| Max. output current | | DC [mA] | 500 | | 1,000 1,000 |
| | | AC [mA] | 500 | | 1,000 – |
| Max. switching capacity | | DC [W] | 40 | | 40 40 |
| | | AC [VA] | 40 | | 40 – |
| Voltage drop | | [V] | 4.1 | | – – |
| Switch-on time | | [ms] | ≤0.5 | | |
| Switch-off time | | [ms] | ≤0.03 | | |
| Protection against short circuit | | | No | | |
| Protection against polarity reversal | | | No | | |
| Protection class | | | IP67 | | |
| Switching status display | | | Yellow LED | Yellow LED | – – |

1) Without LED function.

| Operating and environmental conditions | | | | | | |
|--|--|---|-------------|---|----------------------------|-------------------------------------|
| Electrical connection | | Cable | | Cable, heat resistant | | Plug |
| Cable installation | | Fixed | Flexible | Fixed | Flexible | Fixed |
| Ambient temperature | | [°C] | –20 ... +70 | –5 ... +70 | –10 ... +120 –5 ... +120 | –20 ... +70 |
| Corrosion resistance class CRC ¹⁾ | | 4 | | 4 | | 2 |
| CE symbol (declaration of conformity) | | In accordance with EU EMC directive ²⁾ | | In accordance with EU low voltage directive | | In accordance with EU EMC directive |
| | | In accordance with EU low voltage directive ³⁾ | | directive | | |

- 1) Corrosion resistance class 2 according to Festo standard 940 070
Components requiring moderate corrosion resistance. Externally visible parts with primarily decorative surface requirements which are in direct contact with a normal industrial environment or media such as coolants or lubricating agents.
Corrosion resistance class 4 according to Festo standard 940 070
Components requiring higher corrosion resistance. Parts used with aggressive media, e.g. food or chemical industry. These applications should be supported with special tests with the media if required.
- 2) Only valid for N/O contact, 3-wire, operating voltage range 12 ... 27 V DC and for N/O contact, 2-wire, operating voltage range 5 ... 250 V AC / 5 ... 200 V DC.
- 3) Only valid for N/O contact, 2-wire, with cable.

| Materials | |
|-------------------|--------------------------|
| Housing | Die-cast zinc, polyester |
| Cable sheath | Polyurethane |
| Note on materials | Free of copper and PTFE |

| Product weights [g] | | | | | |
|------------------------|--|-------|-----------------------|------|----|
| Electrical connection | | Cable | | Plug | |
| Cable length | | [m] | 2,5 | 5,0 | – |
| N/O contact | | | | | |
| 3-wire | | | 85 | 130 | 20 |
| 2-wire | | | 100(85) ¹⁾ | 130 | 20 |
| 2-wire, heat resistant | | | 130 | – | – |

2) Value in brackets only valid for operating voltage range 0 ... 250 V AC / 0 ... 200 V DC.

Proximity sensors SMEO-1, block-shaped, magnetic reed

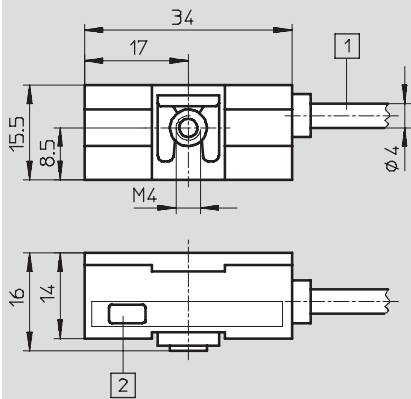
Technical data

FESTO

Dimensions

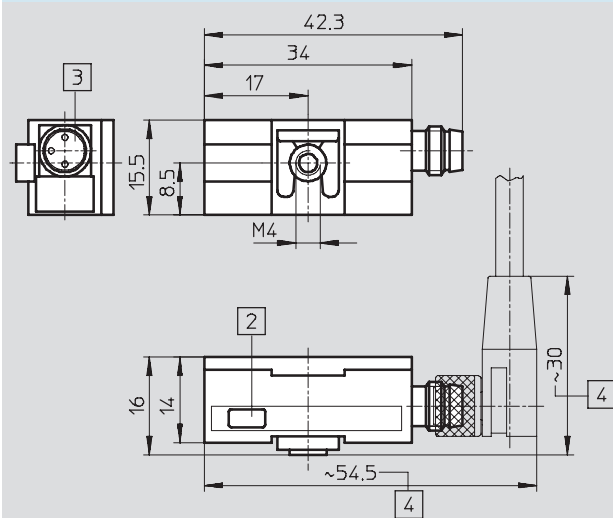
Download CAD data → www.festo.com

Cable type



- 1 Connecting cable
- 2 Yellow LED

Plug type M8x1



- 2 Yellow LED
- 3 Plug suitable for plug socket with cable NEBU-M8...
- 4 Installation space for angled socket

Ordering data

| | Electrical connection | | Cable length [m] | Switching status display via LED | Part No. | Type |
|---|--|-----------|---------------------|-------------------------------------|---------------|---------------------|
| | Cable | Plug M8x1 | | | | |
| | N/O contact | | | | | |
| | Operating voltage range 12 ... 27 V DC | | | | | |
| | 3-wire | – | 2.5 | ■ | 30 459 | SMEO-1-LED-24-B |
| | 3-wire | – | 5.0 | ■ | 151 672 | SMEO-1-LED-24-K5-B |
| | – | 3-pin | – | ■ | 150 848 | SMEO-1-S-LED-24-B |
| | Operating voltage range 0 ... 250 V AC, 0 ... 200 V DC | | | | | |
| | 2-wire | – | 2.5 | – | 30 457 | SMEO-1-B |
| | 2-wire | – | 2.5 | ■ | 151 671 | SMEO-1-LED-230-B |
| | 2-wire | – | 5.0 | ■ | 160 998 | SMEO-1-LED-230-K5-B |
| | Heat resistant up to 120°C | | | | | |
| | 2-wire | – | 2.5 | – | 151 673 | SMEO-1-S6-C |
| | Operating voltage range 0 ... 30 V DC | | | | | |
| – | 3-pin ¹⁾ | – | – | 150 847 | SMEO-1-S-24-B | |

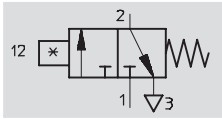
1) The proximity sensor has 2 wires internally. One pin of the M8 plug is unused.

Proximity sensor SMPO-1, block-shaped, pneumatic

Technical data

Function
3/2-way valve,
normally closed

- Pneumatic proximity sensor
- Magnetic measuring principle



| Design | |
|--|-----------------|
| Constructional design | Block-shaped |
| Type of mounting | Via accessories |
| Connection direction | In-line |
| Reproducibility of switching point ¹⁾ | [mm] ±0.1 |
| Switching status display | Optical |

1) Only applicable to drives secured against rotation.

| Technical data | |
|----------------------------|---------------------------------------|
| Switching element function | 3/2-way valve, normally closed |
| Operating medium | Filtered, unlubricated compressed air |
| Operating pressure | [bar] 2 ... 6 |
| Switch-on time | [ms] 12 |
| Switch-off time | [ms] 30 |
| Pneumatic connection | Barbed connector PK-3 |
| Protection class | IP65 |

| Operating and environmental conditions | |
|--|------------------|
| Ambient temperature | [°C] -15 ... +60 |
| Corrosion resistance class CRC ¹⁾ | 1 |

1) Corrosion resistance class 1 according to Festo standard 940 070
Components requiring low corrosion resistance. Transport and storage protection. Parts that do not have primarily decorative surface requirements, e.g. in internal areas that are not visible or behind covers.

| Materials | |
|-------------------|-------------------------|
| Housing | Polyamide |
| Barbed connector | Brass |
| Note on materials | Free of copper and PTFE |

| Product weights [g] | |
|---------------------|----|
| PNP | 14 |

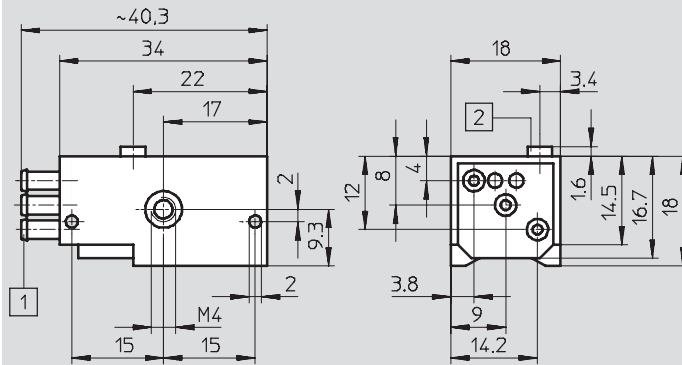
Proximity sensors SMPO-1, block-shaped, pneumatic

Technical data

FESTO

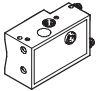
Dimensions

Download CAD data → www.festo.com



- 1 Barbed connector for tubing, nominal diameter 3 mm
- 2 Visual indicator

Ordering data

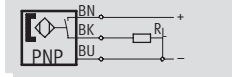
| | Pneumatic connection | Part No. | Type |
|---|---------------------------------------|---------------|-------------------|
|  | 3/2-way valve, normally closed | | |
| | Barbed connector for 3 mm I.D. tubing | 31 008 | SMPO-1-H-B |

Proximity sensors SMT-C1, block-shaped, inductive

Technical data

Function

PNP, N/O contact, with cable



- Inductive measuring principle
- For standard cylinders CDN-...-R with sensor strip



| Design | |
|--------------------------|--------------|
| Constructional design | Block-shaped |
| Type of mounting | Clamped |
| Connection direction | In-line |
| Switching status display | Yellow LED |

| Technical data – PNP, N/O contact | |
|--------------------------------------|--------------------------------|
| Method of measurement | Absolute |
| Electrical connection | Cable, 3-wire |
| Cable length | [m] 5.0 |
| Operating voltage range | [V DC] 10 ... 30 |
| Max. output current | [mA] 200 |
| Max. switching capacity DC | [W] 6.0 |
| Voltage drop | [V] < 1.8 |
| Residual current | [mA] < 0.1 |
| Switch-on time | [ms] ≤ 0.5 |
| Switch-off time | [ms] ≤ 0.5 |
| Hysteresis | [mm] ≤ 2.0 |
| Protection against short circuit | Yes |
| Protection against polarity reversal | For all electrical connections |
| Inductive protective circuit | Adapted to MZ, MY, ME coils |
| Protection against overloading | Yes |
| Protection class | IP65/IP67 |
| Tightening torque | [Nm] 1.2 |
| Conforms to | DIN EN 60 947-5-2 |

| Operating and environmental conditions | | |
|--|-------------------------------------|-------------|
| Cable installation | Fixed | Flexible |
| Ambient temperature | [°C] -20 ... +70 | -20 ... +70 |
| Corrosion resistance class CRC ¹⁾ | 3 | |
| CE symbol (declaration of conformity) | In accordance with EU EMC directive | |

3) Corrosion resistance class 3 according to Festo standard 940 070
 Components requiring higher corrosion resistance. External visible parts in direct contact with industrial atmospheres or media such as solvents and cleaning agents, with a predominantly functional requirement for the surface.

| Materials | |
|-------------------|--|
| Housing | Aluminium High-alloy stainless steel Polypropylene Polyurethane |
| Cable sheath | Polyurethane |
| Note on materials | Free of copper and PTFE Halogen-free |

Proximity sensors SMT-C1, block-shaped, inductive



Technical data

| Product weights [g] | |
|---------------------|----|
| N/O contact | |
| 3-wire | 60 |

Dimensions Download CAD data → www.festo.com

Cable type

- 1 Connecting cable
- 2 Yellow LED
- 3 Clamping component, tightening torque 1,2 Nm

| Ordering data | | | | | |
|---------------|---------------|-----------------------|------------------|----------|----------------------|
| | Switch output | Electrical connection | Cable length [m] | Part No. | Type |
| | N/O contact | | | | |
| | PNP | Cable, 3-wire | 2.5 | 540 431 | SMT-C1-PS-24V-2,5-OE |
| | | | 5.0 | 540 432 | SMT-C1-PS-24V-5,0-OE |

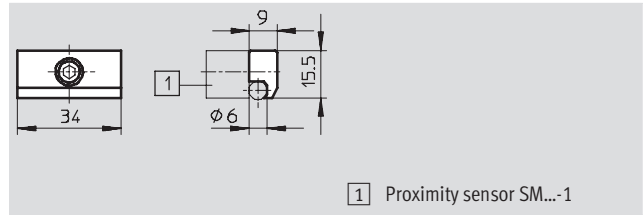
Proximity sensors, block-shaped

Accessories



Mounting kit SMB-1

Material:
Die-cast zinc

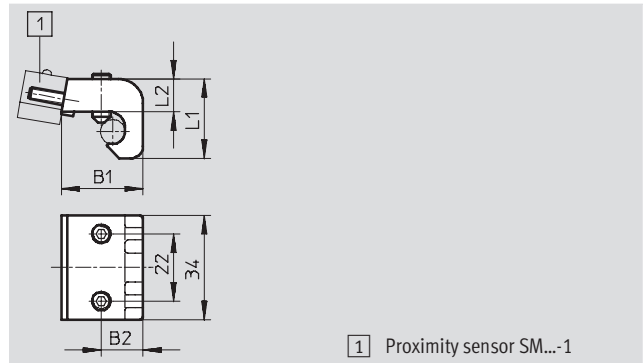


1) Proximity sensor SM...-1

| Dimensions and ordering data | | |
|------------------------------|----------|-------|
| For piston \varnothing | Part No. | Type |
| 32 ... 100 | 11 886 | SMB-1 |

Mounting kit SMB-2-B/SMB-3-B

Material:
Die-cast aluminium

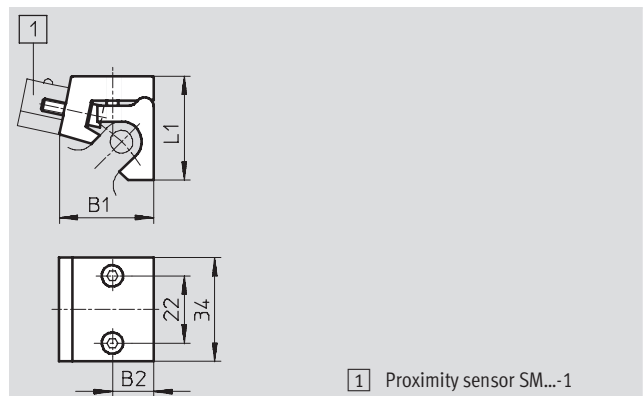


1) Proximity sensor SM...-1

| Dimensions and ordering data | | | | | | |
|------------------------------|------|------|----|------|----------|---------|
| For piston \varnothing | B1 | B2 | L1 | L2 | Part No. | Type |
| 32 ... 50 | 18 | 11 | 23 | 11.6 | 36 162 | SMB-2-B |
| 63 ... 100 | 26.8 | 13.7 | 26 | 10.8 | 36 163 | SMB-3-B |

Mounting kit SMBU

Material:
Die-cast aluminium



1) Proximity sensor SM...-1

| Dimensions and ordering data | | | | | |
|------------------------------|----|------|----|----------|------------------------|
| For piston \varnothing | B1 | B2 | L1 | Part No. | Type |
| 32 ... 50 | 19 | 8.5 | 30 | 36 173 | SMBU-1-B ¹⁾ |
| 63 ... 100 | 31 | 13.5 | 34 | 36 174 | SMBU-2-B ¹⁾ |
| 125 | 31 | 13.5 | 37 | 125 828 | SMBU-3-B |

1) Free of copper and PTFE

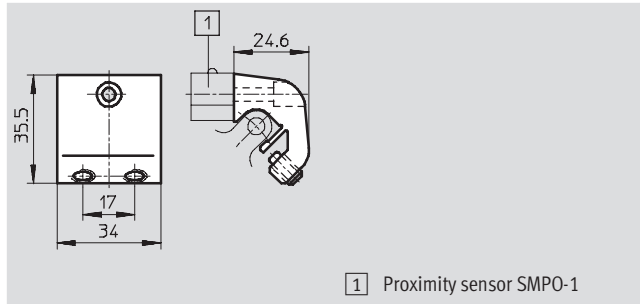
Proximity sensors, block-shaped

Accessories



Mounting kit SMBU-1-H-32

Material:
Aluminium

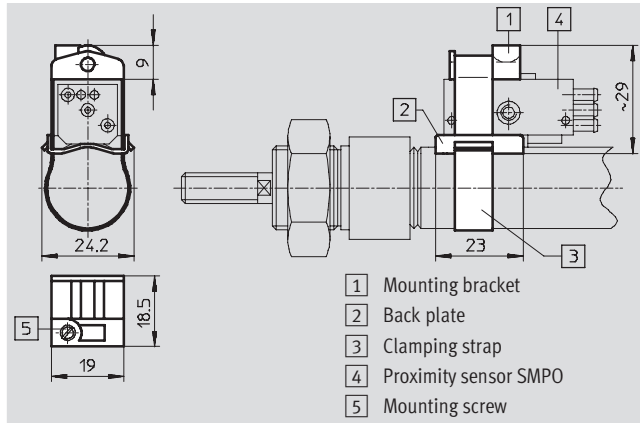


1 Proximity sensor SMPO-1

| Dimensions and ordering data | | |
|------------------------------|----------|-------------|
| For piston Ø | Part No. | Type |
| 32 | 150 216 | SMBU-1-H-32 |

Mounting kit SMBS

Material:
Brass, plastic

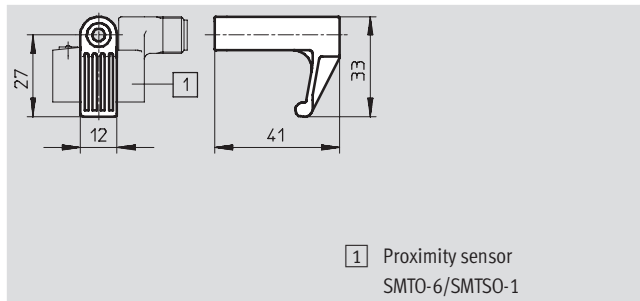


- 1 Mounting bracket
- 2 Back plate
- 3 Clamping strap
- 4 Proximity sensor SMPO
- 5 Mounting screw

| Dimensions and ordering data | | |
|------------------------------|----------|--------|
| For piston Ø | Part No. | Type |
| 8 ... 25 | 151 225 | SMBS-1 |
| 32 ... 100 | 151 226 | SMBS-2 |

Mounting kit SMBT-1

Material:
Die-cast zinc



1 Proximity sensor SMT0-6/SMTS0-1

| Dimensions and ordering data | | |
|------------------------------|----------|--------|
| For piston Ø | Part No. | Type |
| 32 ... 200 | 150 002 | SMBT-1 |